



# Shenzhen Bede Mold CO.,Ltd

Factory Address:98 Industrial Area,Zhongxin Rd.,Xinqiao Street,Bao'an District, Shenzhen, China  
Office :+8675527084976 Mobile:+8615989309421 Email:kerrykim@szbede.com contact: kerry kim

## catalogue of ISO 10243 Mold Springs

### General

Compression springs in accordance with this International Standard shall comply with the technical specifications

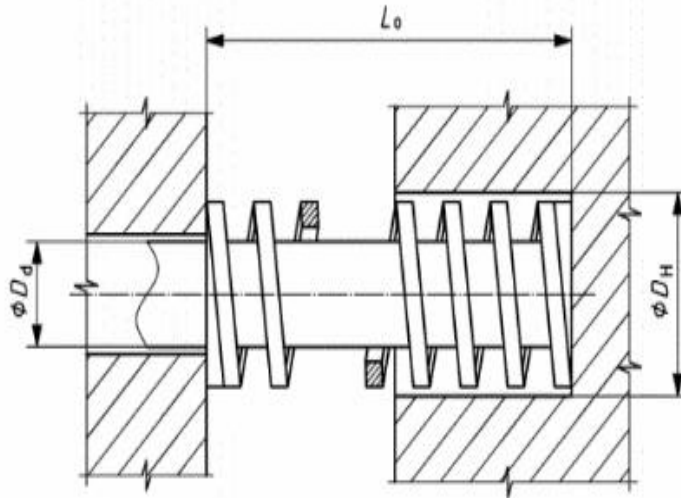


Table 1 — Tolerances of free length

$L_0$ mm	Tolerance	$L_0$ mm	Tolerance
25	±1 mm	102	±1 %
32		115	
38		127	
44		139	
51		152	
64		178	
76		203	
89		254	
	305		

**Ex tra Strong Rate springs / Yellow color**

**Table 5 — Technical specifications of compression springs of extra strong spring rate**

Hole diameter $D_H$ H15 mm	Rod diameter $D_d$ h15 mm	Free length $L_o$ mm	Required force to deflect 1 mm $\pm 10\%$ N	Maximum operating deflection $25\% L_o$ mm
10	5	25	36,8	6,2
		32	27,9	8,0
		38	23,7	9,5
		44	19,2	11,0
		51	16,5	12,7
		64	13,2	16,0
		76	10,9	19,0
		305	2,6	76,3
12,5	6,3	25	58,5	6,2
		32	43,9	8,0
		38	36	9,5
		44	30,3	11,0
		51	26,2	12,7
		64	21,2	16,0
		76	17,1	19,0
		89	14,5	22,2
		305	4,3	76,3
16	8	25	118	6,2
		32	89	8,0
		38	72,1	9,5
		44	60,9	11,0
		51	52,3	12,7
		64	41,2	16,0
		76	34,1	19,0
		89	29,5	22,2
		102	25,6	25,5
		305	8,4	76,3

**Extra Strong Rate springs / Yellow color**

**Table 5 (continued)**

Hole diameter $D_H$ H15 mm	Rod diameter $D_d$ h15 mm	Free length $L_o$ mm	Required force to deflect 1 mm  $\pm 10\%$ N	Maximum operating deflection  $25\% L_o$ mm
20	10	25	293	6,2
		32	224	8,0
		38	177	9,5
		44	149	11,0
		51	128	12,7
		64	99	16,0
		76	81,7	19,0
		89	69,5	22,2
		102	60,6	25,5
		115	53	28,7
		127	47,5	31,7
		139	43	34,7
		152	39	38,0
		305	21,2	76,3
25	12,5	32	374	8,0
		38	300	9,5
		44	244	11,0
		51	208	12,7
		64	161	16,0
		76	131	19,0
		89	111	22,2
		102	96,3	25,5
		115	85,7	28,7
		127	76,3	31,7
		139	66	34,7
		152	63,5	38,0
		178	53,9	44,5
		203	47	50,7
305	30,9	76,3		

**Extra Strong Rate springs / yellow color**

**Table 5 (continued)**

Hole diameter $D_H$ H15 mm	Rod diameter $D_d$ h15 mm	Free length $L_o$ mm	Required force to deflect 1 mm  $\pm 10\%$ N	Maximum operating deflection  $25\% L_o$ mm
32	16	38	480	9,5
		44	390	11,0
		51	320	12,7
		64	269	16,0
		76	219	19,0
		89	180	22,2
		102	155	25,5
		115	140	28,7
		127	124	31,7
		139	112	34,7
		152	102	38,0
		178	88,2	44,5
		203	76	50,7
		254	60,8	64,0
		305	49	76,3
40	20	51	628	12,7
		64	487	16,0
		76	379	19,0
		89	321	22,2
		102	281	25,5
		115	245	28,7
		127	221	31,7
		139	$\boxed{A_1} 195 \langle A_1 \rangle$	34,7
		152	168	38,0
		178	$\boxed{A_1} 150 \langle A_1 \rangle$	44,5
		203	132	50,7
		254	107	64,0
		305	87,8	76,6

## Extra Strong Rate springs / Yellow color

Table 5 (continued)

Hole diameter $D_H$ H15 mm	Rod diameter $D_d$ h15 mm	Free length $L_0$ mm	Required force to deflect 1 mm $\pm 10\%$ N	Maximum operating deflection $25\% L_0$ mm
50	25	64	709	16,0
		76	572	19,0
		89	475	22,2
		102	405	25,5
		115	352	28,7
		127	316	31,7
		139	289	34,7
		152	239	38,0
		178	215	44,5
		203	187	50,7
		254	153	64,0
		305	127	76,3

### 3 Designation

A compression spring in accordance with this International Standard shall be designated by:

- "Compression spring";
- a reference to this International Standard, i.e. ISO 10243;
- the hole diameter,  $D_H$ , in millimetres;
- the free length,  $L_0$ , in millimetres;
- the spring rate (light, medium, strong, extra strong);
- the colour code.